

DS-2TD4237-10/V2

Thermal & Optical Bi-spectrum Network Speed Dome

DeepinView^{series}



Hikvision DS-2TD4237-10/V2 Thermal & Optical Bi-spectrum Network Speed Dome equipped with built-in GPU which support intelligent behavior analysis algorithm, can realize high precision VCA detection and real-time alarm. It is mainly applied to perimeter defense and fire-prevention. For perimeter defense purpose, it used in critical infrastructures such as: construction site, national park, airport, farm, prison, power station, 4S stores, and so on. For fire-prevention purpose, it used in recycling center, gas station, large warehouse, chemical plant and so on. The pre-alarm system helps you discover unexpected events immediately and protects you from property loss.

Smart Function (Thermal Imaging)

- Leading image processing technology: Adaptive AGC, DDE, 3D DNR, NETD < 40mk (@25°C, F#=1.0)
- Smart tracking: Panorama tracking, Event tracking and Multi-scene patrol tracking
- Smart tracking linkage: thermal view and optical view
- Powerful behavior analysis algorithm: Line crossing, Intrusion, Region Entrance & Exit
- Reliable temperature exception alarm function
- Advanced fire detection algorithm

Thermal Imaging Module Function

- 384*288 resolution (the resolution of output image is 1280 x720), high sensitivity sensor, support contrast adjustment
- Support shutter adjustment in various modes
- 3D DNR, 15 palettes of color adjustable, image detail enhancement



Specifications

Thermal Module	
Image Sensor	Vanadium Oxide Uncooled Focal Plane Arrays
Max. Resolution	384 × 288 (the resolution of output image is 1280 × 720)
Pixel Interval	17 μm
Response Waveband	8 μm to 14 μm
NETD	less than 40mk (@25°C, F#=1.0)
Lens (focal length)	10mm
IFOV	1.70mrad
Field of View	37.7° × 28.7° (H × V)
Min. Focusing Distance	1.2m
Aperture	F 1.0
Optical Camera	
Image Sensor	1/2.8" Progressive Scan CMOS
Max. Resolution	1920 × 1080
Min. Illumination	Color: 0.05 lux @ (F1.2 , AGC On) B/W : 0.01 lux @ (F1.2 , AGC On)
Focal Length	4.8-153mm
Field of View	horizontal FOV 58.4° to 2.14°, vertical FOV 33.8° to 1.2°, diagonal FOV 65.6° to 2.46°
Aperture Range	F1.2-F4.4
Focus Mode	Auto / Semiautomatic / Manual
WDR	120dB
Shutter Speed	1s to 1/100,000s
Day & Night	IR Cut Filter
Smart Function	
VCA (Video Content Analysis)	4 VCA rule types (Line Crossing, Intrusion, Region Entrance, and Region Exiting), up to 8 VCA rules.
Temperature Measurement	3 temperature measurement rule types, 21 rules (10 points, 10 areas, and 1 line).
Temperature range	-20 °C to 150 °C (-4 °F to 302 °F)
Temperature accuracy	±8 °C (14.4 °F)
Fire detection	Indoor dynamic fire point detection, up to 10 fire points detectable.
Smoke detection	Indoor smoke detection, up to 10 smoke detectable.
PTZ	
Movement Range	Pan: 360° Continuous Rotate; Tilt: From -5° to + 90°
Pan Speed	TBD
Tilt Speed	TBD
Proportional Zoom	Yes
Presets	300
Patrol Scan	8; Up to 32 Presets Per Patrol
Pattern Scan	4; More Than 10 Minutes Per Pattern
Power Off Memory	Yes
Park	Preset/Pattern Scan/Patrol Scan/Auto Scan/Tilt Scan/Random Scan/Frame Scan/Panorama Scan
PT Status	Turn On/Turn Off

Scheduled Task	Preset/Pattern Scan/Patrol Scan/Auto Scan/Tilt Scan/Random Scan/Frame Scan/Panorama Scan/Doom Reboot/Doom Adjust/Aux Output
Infrared	
IR Distance	Up to 100m
IR Intensity and Angle	Auto Adjust
Network	
Main Stream	Optical: 50Hz:25fps(1920×1080), 25fps(1280×960), 25fps(1280×720) Optical: 60Hz:30fps(1920×1080), 30fps(1280×960), 30fps(1280×720) Thermal: 25fps(1280 × 720), 25fps(704 × 546), 25fps(384 × 288), 25fps(352 × 288)
Sub stream	Optical: 50Hz:25fps (704 × 576), 25fps (352 × 288) Optical: 60Hz:30fps (704 × 480), 30fps (352 × 288) Thermal: 25fps(704 × 546), 25fps(384 × 288), 25fps(352 × 288)
Video compression	H.265 (Main Profile) H.264 (Baseline/Main/High Profile)
Audio compression	G.711u/G.711a/G.722.1/MP2L2/G.726/PCM
Protocols	TCP/IP,ICMP,HTTP,HTTPS,FTP,DHCP,DNS,DDNS,RTP,RTSP,RTCP, PPPoE,NTP,UPnP,SMTP,SNMP,IGMP,802.1X,QoS,IPv6, UDP, Bonjour
Simultaneous live view	Up to 20-ch
User/Host level	Up to 32 users, 3 levels: Administrator, Operator, User
Security measures	User authentication (ID and PW), MAC address binding, HTTPS encryption, IEEE 802.1x access control, IP address filtering
Integration	
Alarm Input	Up to 7-ch Input (0-5V DC)
Alarm Output	Up to 2-ch Relay Output; alarm response actions configurable
Alarm Action	Preset/Patrol Scan/Pattern Scan/SD Card Record/Relay Output/Smart capture/FTP upload/Email linkage
Audio Input	1 3.5mm Mic in/Line in interface. Line input: 2-2.4V[p-p], output impedance:1KΩ±10%
Audio Output	Linear Level; Impedance: 600Ω
Reset	1 Reset Button
Ethernet	1 RJ45 10M/100M Self-adaptive Ethernet interface, 1 RS-485 interface
SD Memory Card	Built-in Micro SD card slot, support Micro SD/SDHC/SDXC card (up to 256G), support manual/alarm recording
Analog Video Output	1.0V [p-p]/75Ω, PAL/NTSC/BNC
Application Programming	Open-ended API, support ISAPI; Support HIKVISION SDK and Third-party Management Platform
Client	iVMS-4200
Web Browser	IE 9+, Chrome 31- chrome 44, Firefox 30- Firefox 51, Safari 5.02+(Mac)
General	
Menu Language	English
Power	AC 24V±25%
Power Consumption	TBD
Work Temperature/Humidity	From -30°C to 60°C (-40°F to 140°F); Humidity: 90% or Less
Protection Level	IP66 Standard; TVS 6000V Lightning Protection, Surge Protection and Voltage Transient Protection
Dimensions	305 mm × 185 mm × 163 mm (12.01" × 7.28" × 6.42")
Weight	TBD

Detection Range Table

The table is only for reference, the performance may vary from camera to camera.

Smart functions Range

Different targets trigger the VCA events within different range limits.

VCA Range (Vehicles: 1.4x4.0m)	VCA Range (Humans: 1.8x0.5m)	Temperature Measurement (Object:2x2 m)	Temperature measurement (Object:1x1 m)	Fire Detection (Object:2x2 m)	Fire Detection (Object:1x1 m)
300m	100m	234m	118m	588m	294m

Wide Range Coverage

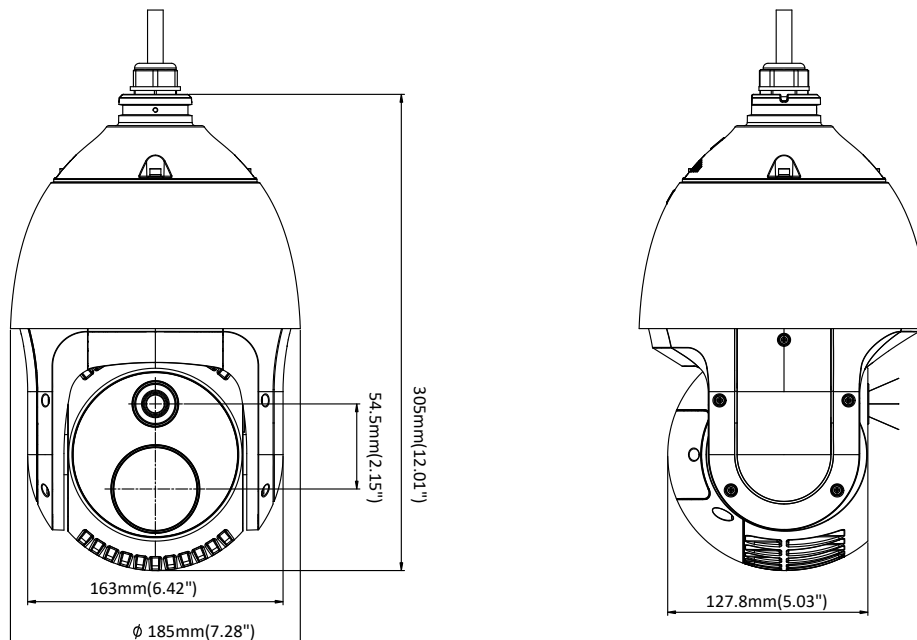
There is range limit for detecting, recognizing, and identifying human/vehicle targets.

Detection Range (Vehicles: 1.4x4.0m)	Detection Range (Humans: 1.8x0.5m)	Recognition Range (Vehicles: 1.4x4.0m)	Recognition Range (Humans: 1.8x0.5m)	Identification Range (Vehicles: 1.4x4.0m)	Identification Range (Humans: 1.8x0.5m)
902m	294m	225m	74m	113m	37m

Available Model

DS-2TD4237-10/V2

Dimension



CENTRAL SECURITY DISTRIBUTION

An Anixter Company

1300 319 499

csd.com.au